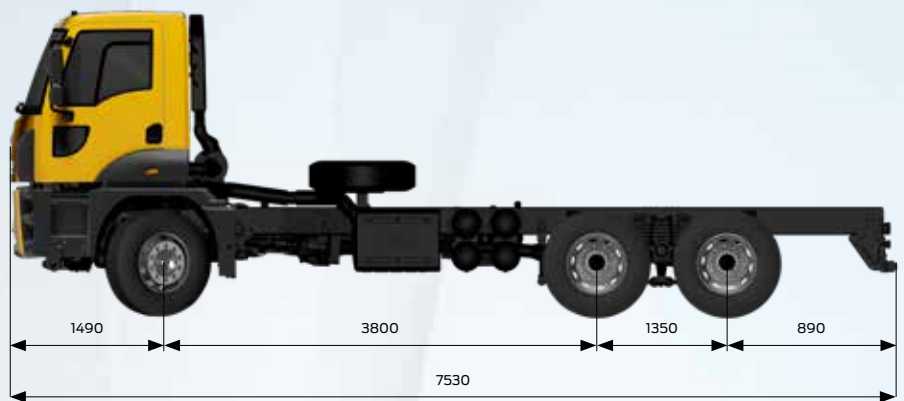


# FORD TRUCKS 3542D EURO6



## Basic Features

Vehicle Type	Tipper
Axle	6x4
Emission	Euro 6
Cabin Type	Day Cab
Wheelbase (mm)	3800

## Engine

Type	Ecotorq 12,7 liters
Displacement (cc)	12740
Bore x Stroke	130 mm x 160 mm
Power	420 PS (308,9 kW) / 1800 rpm
Torque	2150 Nm / 1000-1300 rpm
Compression Ratio	17 +/- 0,5 : 1
Oil Filling Volume	50 L
Coolant Volume	37 L (57 L with Intarder)

## Transmission

Clutch	430 mm Single Disc
Manuel Transmission / Ratios (1.gear - 16. gear)	ZF 16S 2230 (13,805-0,836)
Automated Transmission / Ratios (1.gear - 12. gear)	ZF 12 TX 2210 (16,688-1)

## Steering

Power assisted single circuit

## Chassis

Chassis Thickness	10 mm with Reinforcement
Chassis Strength	500 MPa
Suspension (Front / Rear)	90 mm Parabolic Leaf Springs / 100 mm Multileaf Tandem Suspension
Axle	Hub Reduction
Axle Ratio (Manual / Automatic)	4,08 / 3,57
Tyres	315/80 R 22,5
Wheel Rim	22,5 x 9 Steel

## Braking System

Brakes (Ø mm x mm Length)	410 X 200, Z-Cam Brake System
Braking System	Dual Brake Circuit - Air Processing Unit with Integrated Oil Separator and Heater
Engine Brake Power	max. 340 kW (Engine Level)
Intarder Power	max. 600 kW / continuous 160 kW

## Electrical System

Battery	24V, 2 x 12V 150 Ah
Alternator / Starter Motor	130 A / 6,5 kW

## Tanks

Fuel Tank	315 L Steel
SCR Tank	55 L



TRUCKCENTRUM east, s.r.o.

[www.truckcentrum.sk](http://www.truckcentrum.sk)

Na záhumní 613, 040 15 Košice - Šaca, Slovensko  
Okresný súd Košice I, oddiel Sro, vložka 25837/V

IČO: 45 599 165, IČ DPH: SK2023052273

## Dimensions (mm)

Front Overhang	1490
Wheelbase	3800
Overall Length	7530
Distance Between 2 <sup>nd</sup> and 3 <sup>th</sup> Wheel Centers	1350
Overall Cab Length	1820
Overall Vehicle Width (Excluding Mirrors)	2540
Chassis Width	770
Rear Overhang	890
Useful Chassis Length	5890
Chassis Height - Front	225
Chassis Height - Rear	285
Ground Clearance - Front	435
Ground Clearance - Rear	308
Turning Radius	8790

Weights (kg)	1. Axle	2. Axle	3. Axle	Total
Technically Permissible Weights	7500	13400	13400	34000
Kerb Weight	5252	2346	2315	9913
Payload	2248	11054	11085	24087
GVM (Legal)	7500	9500	9500	26000

## STANDARD EQUIPMENT

- Air Conditioner
- Radio/CD Player
- Transmission Offset (double gear) PTO without Flange & Interior Control Unit
- Cruise Control
- Engine Brake
- Drum Brake
- Electrically Operated Windows
- Electrically Operated and Heated Side Mirrors
- Electrically Operated Headlamp Leveling
- Rake and Reach Adjustable Steering Column
- Heated and Air Suspended Driver Seat
- Switchable Air Compressor for Improved Fuel Economy
- Lumbar Support
- Manually Operated Sunroof
- Front Vehicle Antiroll Bar
- Anti-Lock Brake System (ABS)
- Brake Lining Wear Indicator
- Immobilizer
- Single Key with Remote Control and Central Locking
- Home Safe Light
- Approach Light
- Differential Lock
- Digital Tachograph

## OPTIONAL EQUIPMENT

- Automated Transmission  
(With Normal Mode, Off-Road Mode, Rocking Mode)
- Engine Driven PTO
- Intarder
- ADR Pack
- Low Roof Sleeper Cab with Single Bed
- Wet Type Cab Heater
- Cold Pack with Wet Type Cab Heater
- Cold Pack with Dry & Wet Type Cab Heater \*
- Power Cab Tilting
- Rear Window \*\*
- Automatic Traction Control (ATC)
- Double Passenger Seat \*\*
- ESP
- 3,5T Towing Capability
- 10T Towing Capability

\* Only Available with Low Roof Sleeper Cab Version.

\*\* Not Available with Low Roof Sleeper Cab Version.