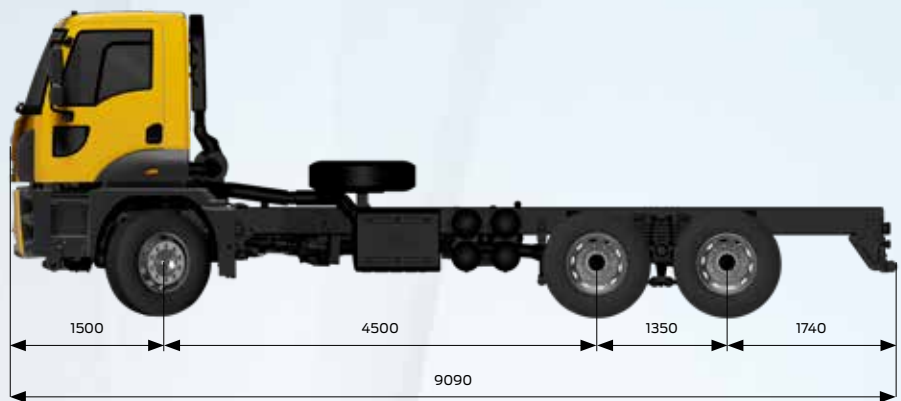


# FORD TRUCKS 3542 DC EURO6



## Basic Features

Vehicle Type	Road Truck
Axle	6x4
Emission	Euro 6
Cabin Type	Day Cab
Wheelbase (mm)	4500

## Engine

Type	Ecotorq 12.7 litre
Displacement [cc]	12740
Diameter x Stroke	130 mm x 160 mm
Power	430 PS (316,3 kW) / 1800 rpm
Torque	2150 Nm / 1000-1300rpm
Compression Ratio	17 +/- 0,5 : 1
Oil Filling Volume [l]	50 L
Coolant volume [l]	without Intarder 37 L ; with Intarder 57 L

## Transmission

Clutch	430 mm Single Disc
Manuel Transmission / Ratios (1. gear - 16. gear)	ZF 16S 2230 (13,805-0,836)
Automated Transmission / Ratios (1. gear - 12. gear)	ZF 12 TX 2210 TD AMT (16,688-1)

## Steering

Power Assisted Single Circuit

## Chassis

Chassis Thickness (mm)	10mm with Reinforcement
Chassis Strength [MPa]	500 MPa
Suspension (Front / Rear)	Parabolic Leaf Springs / Parabolic Tandem Suspension
Axle	Hub Reduction
Axle Ratio	3,57 / 4,08
Tyres	315/80 R 22,5
Wheel Rim	22,5 x 9 Steel

## Braking System

Brakes (front/rear) (Ø,mm x mm. length)	410 X 200, Z-Cam Brake System
Braking System	Dual Brake Circuit – Air Processing Unit with Integrated Oil Seperator and Heater
Engine Brake Power	max. 340 kW (Engine Level)
Intarder Power [Optional]	max. 600kW / continuous 160kW

## Electrical System

Battery	24V, 2 x 12V 150 Ah
Alternator / Starter Motor	130 A / 6.5 kW

## Tanks

Fuel Tank	315 L Steel
SCR Tank	55 L

TRUCKCENTRUM east, s.r.o.

[www.truckcentrum.sk](http://www.truckcentrum.sk)

Na záhumní 613, 040 15 Košice - Šaca, Slovensko  
Okresný súd Košice I, oddiel Sro, vložka 25837/V

IČO: 45 599 165, IČ DPH: SK2023052273



## Dimensions (mm)

Front Overhang	1500
Wheelbase	4500
Overall Length	9090
Distance between 2nd and 3th wheel centers	1350
Overall Cab Length	2043
Overall Vehicle Height	3100
Overall Vehicle Width (excluding Mirrors)	2540
Chassis Width	770
Rear Overhang	1740
Useful Chassis Length	6738
Chassis Height-Front	285
Chassis Height-Rear	285
Ground Clearance-Front	500
Ground Clearance-Rear	303
Turning Radius	11930

Weights (kg)	1. Axle	2. Axle	3. Axle	Total
Technically Permissible Weights	7500	7500	13400	34000
Kerb Weight	5484	2238	2238	9959
Payload	2017	5263	11163	24042
GVM (Legal )	7500	9500	9500	26000

### STANDARD EQUIPMENT

- Air Conditioner
- Radio/CD Player
- Cruise Control
- Engine Brake
- Drum Brake
- Electrically Operated Windows
- Electrically Operated and Heated Side Mirrors
- Electrically Operated Headlamp Leveling
- Rake and Reach Adjustable Steering Column
- Heated and Air Suspended Driver Seat
- Lumbar Support
- Manually Operated Sunroof
- Front and Rear Vehicle Antiroll Bars
- Anti-Lock Brake System (ABS)
- Brake Lining Wear Indicator
- Immobilizer
- Single Key with Remote Control and Central Locking
- Home Safe Light
- Differential Lock
- Digital Tachograph
- Switchable Air Compressor for Improved Fuel Economy
- Rear Window

### OPTIONAL EQUIPMENT

- Automated Transmission (with Normal Mode, Off Road Mode, Rocking Mode)
- Intarder
- ADR Pack
- Low Roof Sleeper Cab
- Cold Pack with Wet Type Cab Heater
- Electrically Operated Cab Tilting
- Engine PTO Options & Interior Control Unit
- Transmission PTO Options & Interior Control Unit
- Automatic Traction Control (ATC)
- Approach Lights